

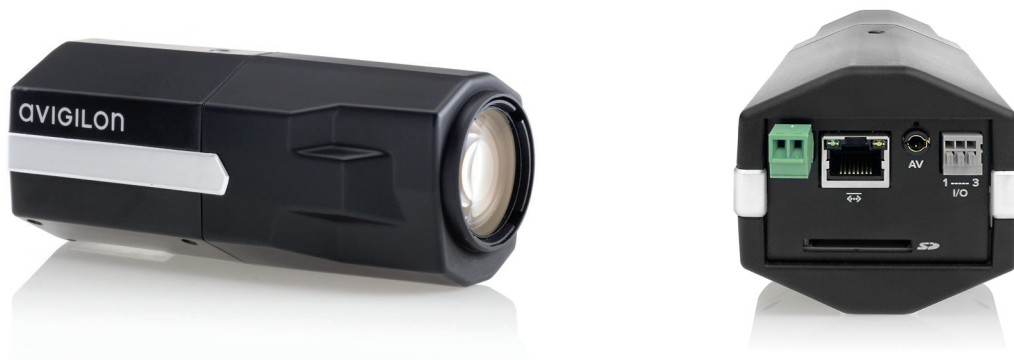
# Day/Night H.264 HD Camera

AVIGILON

H.264 HD CAMERA

Avigilon offers the broadest range of high definition cameras in the industry – from 1 – 5 MP and 4 – 7K (based on horizontal resolution) – and are available in a variety of formats, including dome, panoramic and fixed. Whether it's a small storefront that requires a few cameras or a large complex system requiring complete coverage of numerous areas, you can trust that you're getting the best solution for your security needs.

The innovative H.264 HD camera is just one way Avigilon can help provide the very best monitoring and protection.



The H.264 HD camera features an integrated lens for remote focus and zoom control, and is ONVIF compliant for no-hassle integration. It operates on Avigilon's H3 platform, providing this model with improved low light performance with wide dynamic range support and enhanced HDSM™ software features. P-Iris control also allows the camera to automatically set its iris position to maximize image quality in all lighting conditions. Onboard storage capabilities let you manage storage directly on the camera using a standard SD memory card. This camera is extremely versatile and can work in almost any location, including banks, schools, retail outlets, municipal grounds and buildings, hotels, bars and restaurants.

## KEY FEATURES

|   |
|---|
| Progressive scan CMOS sensor  |
| Unsurpassed image quality   |
| Available with 3-9 mm F1.2, 9 - 22 mm F1.6, or 4.7-84.6mm F1.6 P-Iris lens with remote focus and zoom |
| Up to 30 images per second  |
| Wide Dynamic Range  |
| SD card slot for onboard storage support  |
| H.264 and Motion JPEG compression   |
| ONVIF API Compliance with version 1.02, 2.00 and Profile S  |
| Automatic exposure control and iris control   |
| Automatic removable IR cut filter for IR sensitivity at night   |
| Power over Ethernet, 24 VAC or 12 VDC power input   |
| Analog Video Output   |

# Specifications

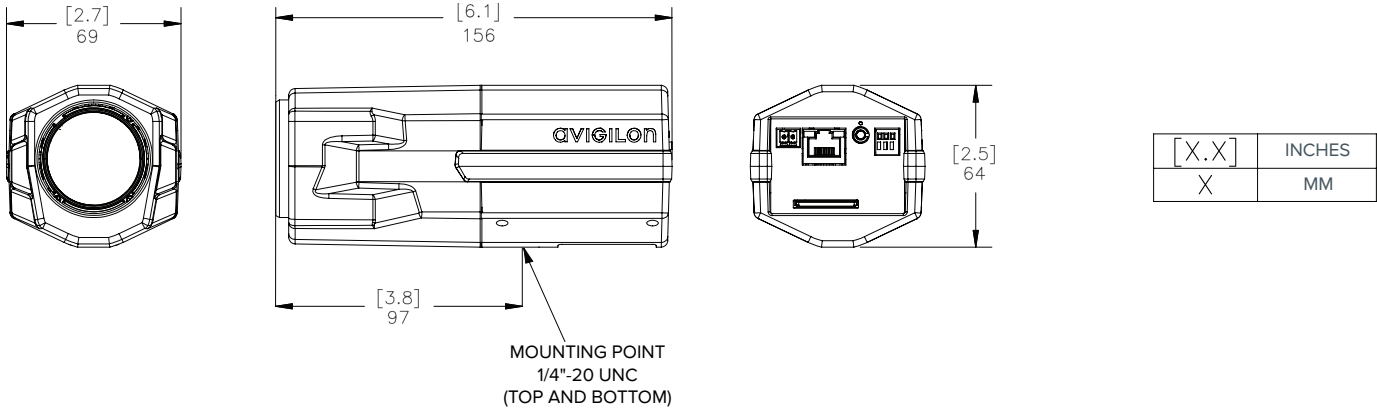
|                          |                            | 1.3 MP (LIGHTCATCHER)  | 1.0 MP   | 2.0 MP   | 3.0 MP                  | 5.0 MP   |  |
|--------------------------|----------------------------|--|--|--|-------------------------|--|--|
| <b>IMAGE PERFORMANCE</b> | Image Sensor               | 4.7-84.6 mm lens:  | 1/3" progressive scan CMOS   |  |                         |  |  |
|                          |                            | 3-9 mm lens:   | 1/3" progressive scan CMOS   | 1/2.7" progressive scan CMOS                                     |                         | WDR 1/3" progressive scan CMOS                                   | 1/3.2" progressive scan CMOS                     |
|                          |                            | 9-22 mm lens:  |  |  |                         |  |  |
|                          | Active Pixels              | 1280 (H) x 1024 (V)  | 1280 (H) x 720 (V)   | 1920 (H) x 1080 (V)  | 2048 (H) x 1536 (V)     | 2592 (H) x 1944 (V)  |  |
|                          | Imaging Area               | 4.7-84.6 mm lens:  |  | 4.2 mm (H) x 2.4 mm (V); 0.165" (H) x 0.094" (V)                 |                         |  |  |
|                          |                            | 3-9 mm lens:   | 4.8 mm (H) x 3.84 mm (V); 0.189" (H) x 0.151" (V)                  | 5.9 mm (H) x 3.3 mm (V); 0.231" (H) x 0.129" (V)                 |                         | 4.5 mm (H) x 3.4 mm (V); 0.177" (H) x 0.133" (V)                 | 4.6 mm (H) x 3.4 mm (V); 0.181" (H) x 0.133" (V) |
|                          |                            | 9-22 mm lens:  |  |  |                         |  |  |
|                          | Minimum Illumination       | 4.7-84.6 mm lens:  |  | 0.4 lux (F1.6) in color mode; 0.04 lux (F1.6) in monochrome mode |                         |  |  |
|                          |                            | 3-9 mm lens:   | 0.02 lux (F1.2) in color mode; 0.002 lux (F1.2) in monochrome mode | 0.2 lux (F1.2) in color mode; 0.02 lux (F1.2) in monochrome mode |                         | 0.3 lux (F1.2) in color mode; 0.03 lux (F1.2) in monochrome mode |  |
|                          |                            | 9-22 mm lens:  | 0.04 lux (F1.6) in color mode; 0.004 lux (F1.6) in monochrome mode | 0.4 lux (F1.6) in color mode; 0.04 lux (F1.6) in monochrome mode |                         | 0.6 lux (F1.6) in color mode; 0.06 lux (F1.6) in monochrome mode |  |
| Dynamic Range            | 71 dB                      | 69 dB  |  | 100 dB   | 69 dB                   |  |  |
| Image Rate               | 30 (all resolutions)       |  |  | 20 (at full resolution)<br>30 (at 1920 x 1080 or smaller)        | 13 (at full resolution) |  |  |
| Resolution Scaling       | Down to 768 x 432          |  |  | Down to 480 x 360  |                         |  |  |
| <b>LENS</b>              | Lens                       | 4.7-84.6 mm, F1.6, P-Iris, remote focus and zoom   |  |  |                         |  |  |
|                          |                            | 3-9 mm, F1.2, P-Iris, remote focus and zoom  |  |  |                         |  |  |
|                          |                            | 9-22 mm, F1.6, P-Iris, remote focus and zoom   |  |  |                         |  |  |
|                          | Angle of View              | 4.7-84.6 mm lens:  | 3° - 52°   |  |                         |  |  |
|                          | 3-9 mm lens:               | 30° - 88°  | 35° - 98°  |  | 28° - 84°               |  |  |
|                          | 9-22 mm lens:              | 13° - 30°  | 15° - 35°  |  | 12° - 28°               |  |  |
| <b>IMAGE CONTROL</b>     | Image Compression Method   | H.264 (MPEG-4 Part 10/AVC), Motion JPEG  |  |  |                         |  |  |
|                          | Streaming                  | Multi-stream H.264 and Motion JPEG   |  |  |                         |  |  |
|                          | Motion Detection           | Selectable sensitivity and threshold   |  |  |                         |  |  |
|                          | Electronic Shutter Control | Automatic, Manual (1/6 to 1/2000 sec)  |  | Automatic, Manual (1/6 to 1/8000 sec)                            |                         |  |  |
|                          | Iris Control               | Automatic, Manual  |  |  |                         |  |  |
|                          | Day/Night Control          | Automatic, Manual  |  |  |                         |  |  |
|                          | Flicker Control            | 50 Hz, 60 Hz   |  |  |                         |  |  |
|                          | White Balance              | Automatic, Manual  |  |  |                         |  |  |
|                          | Backlight Compensation     | Adjustable   |  |  |                         |  |  |
|                          | Privacy Zones              | Up to 64 zones   |  |  |                         |  |  |
|                          | Audio Compression Method   | G.711 PCM 8 kHz  |  |  |                         |  |  |
|                          | Audio Input/Output         | Line level input/output, A/V mini-jack (3.5 mm)  |  |  |                         |  |  |
|                          | Video Output               | NTSC/PAL, A/V mini-jack (3.5 mm)   |  |  |                         |  |  |
|                          | External I/O Terminals     | Alarm In, Alarm Out  |  |  |                         |  |  |
| <b>NETWORK</b>           | Network                    | 100BASE-TX   |  |  |                         |  |  |
|                          | Cabling Type               | CAT5   |  |  |                         |  |  |
|                          | Connector                  | RJ-45  |  |  |                         |  |  |
|                          | API                        | ONVIF compliance version 1.02, 2.00, Profile S ( <a href="http://www.onvif.org">www.onvif.org</a> )                                |  |  |                         |  |  |
|                          | Security                   | Password protection, HTTPS encryption, digest authentication, WS authentication, user access log, 802.1x port based authentication |  |  |                         |  |  |
|                          | Protocol                   | IPv4, HTTP, HTTPS, SOAP, DNS, NTP, RTSP, RTP, TCP,UDP, IGMP, ICMP, DHCP, Zeroconf, ARP   |  |  |                         |  |  |
|                          | Streaming Protocols        | RTP/UDP, RTP/UDP multicast, RTP/RTSP/TCP, RTP/RTSP/HTTP/TCP, RTP/RTSP/HTTPS/TCP, HTTP  |  |  |                         |  |  |
|                          | <b>MECHANICAL</b>          |  | <b>4.7-84.6 MM LENS</b>  |  | <b>3-9 MM LENS</b>      |  | <b>9-22 MM LENS</b>                              |
| Dimensions (LxWxH)       |                            | 156 mm x 69 mm x 64 mm; 6.1" x 2.7" x 2.5"   |  | 115 mm x 67 mm x 53 mm; 4.5" x 2.6" x 2.1"                       |                         |  |  |
| Weight                   |                            | 0.56 kg (1.2 lbs)  |  | 0.47 kg (1.0 lbs)  |                         |  |  |
| Camera Mount             |                            | 1/4" UNC-20 (top and bottom)   |  |  |                         |  |  |
| Onboard Storage          |                            | SD/SDHC/SDXC slot – minimum class 4; class 6 or better recommended   |  |  |                         |  |  |
| <b>ELECTRICAL</b>        |                            | <b>1.3 MP</b>  |  | <b>1.0 MP</b>  |                         | <b>2.0 MP</b>  |  |
|                          | Power Consumption          | 6 W  |  |  |                         |  |  |
|                          | Power Source               | VDC: 12 V +/- 10%, 6 W min   |  | VAC: 24 V +/- 10%, 8 VA min                                      |                         | PoE: IEEE802.3af Class 3 compliant                               |  |
|                          | Power Connector            | 2-pin terminal block   |  |  |                         |  |  |
|                          | RTC Backup Battery         | 3V Manganese Lithium   |  |  |                         |  |  |
| <b>ENVIRONMENTAL</b>     | Operating Temperature      | -10 °C to +50 °C (14 °F to 122 °F)   |  |  |                         |  |  |
|                          | Storage Temperature        | -10 °C to +70 °C (14 °F to 158 °F)   |  |  |                         |  |  |
|                          | Humidity                   | 0 - 95% non-condensing   |  |  |                         |  |  |

# Specifications

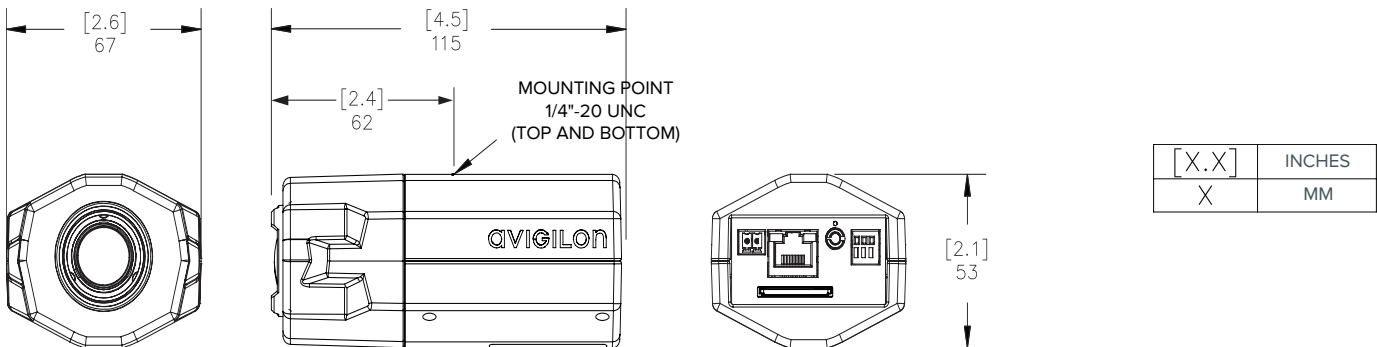
| CERTIFICATIONS            | Certifications                | UL                  | cUL | CE               | ROHS         | WEEE           | RCM          | EAC |
|---------------------------|-------------------------------|---------------------|-----|------------------|--------------|----------------|--------------|-----|
| Safety                    | UL 60950-1                    |                     |     |                  | CSA 60950-1  | IEC/EN 60950-1 |              |     |
| Electromagnetic Emissions | FCC Part 15 Subpart B Class B | IC ICES-003 Class B |     | EN 55022 Class B | EN 61000-6-3 | EN 61000-3-2   | EN 61000-3-3 |     |
| Electromagnetic Immunity  | EN 55024                      |                     |     |                  | EN 61000-6-1 |                |              |     |

## Outline Dimensions

### 4.7-84.6 mm lens



### 3-9 mm lens, 9-22 mm lens



## Ordering Information

|            |   |
|------------|---|
| 1.0-H3-B1  | 1.0 Megapixel Day/Night H.264 HD 4.7-84.6 mm Camera                 |
| 1.0-H3-B2  | 1.0 Megapixel Day/Night H.264 HD 3-9 mm Camera                      |
| 1.0-H3-B3  | 1.0 Megapixel Day/Night H.264 HD 9-22 mm Camera                     |
| 1.3L-H3-B2 | 1.3 Megapixel H.264 HD 3-9 mm Camera with LightCatcher™ Technology  |
| 1.3L-H3-B3 | 1.3 Megapixel H.264 HD 9-22 mm Camera with LightCatcher™ Technology |
| 2.0-H3-B1  | 2.0 Megapixel Day/Night H.264 HD 4.7-84.6 mm Camera                 |
| 2.0-H3-B2  | 2.0 Megapixel Day/Night H.264 HD 3-9 mm Camera                      |
| 2.0-H3-B3  | 2.0 Megapixel Day/Night H.264 HD 9-22 mm Camera                     |
| 3.0W-H3-B2 | 3.0 Megapixel WDR Day/Night H.264 HD 3-9 mm Camera                  |
| 3.0W-H3-B3 | 3.0 Megapixel WDR Day/Night H.264 HD 9-22 mm Camera                 |
| 5.0-H3-B2  | 5.0 Megapixel Day/Night H.264 HD 3-9 mm Camera                      |
| 5.0-H3-B3  | 5.0 Megapixel Day/Night H.264 HD 9-22 mm Camera                     |