



FIRE ALARM BELL INSTALLATION WIRING DIAGRAM

MASTER CONTROLS

DESCRIPTION

The fire alarm bell is designed to be connected to the fire alarm system and can be used for other application such as the security system. Always follow the local regulation and fire alarm system for the installation.

The fire alarm bell is used for indoor only. Do not use the bell in potentially explosive or corrosive atmosphere.

SPECIFICATION

Product Name	FireAlarmBell
Rated Voltage	24Vdc
Operating Voltage	20 to 28Vdc
Average Operating Current	25mA
Sound Output per UL 464	95dB
Operating Temperature	0°C to 65°C
Ambient Humidity	<95%

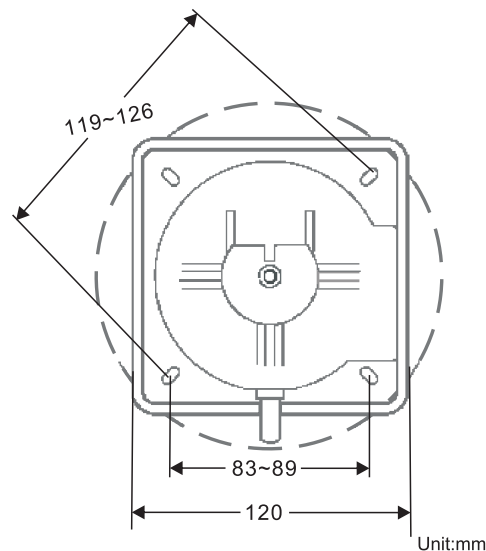
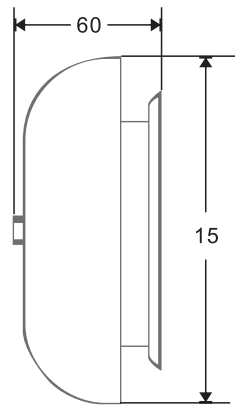


Figure 1. Dimensions

MOUNTING

If ceiling heights allow, and unless otherwise permitted, wall-mounted appliances shall have their tops above the finished floor at heights of not less than 2.29m and below the finished ceilings at distances of not less than 0.15m.

The bell can be mounted on a 4-in electric box or a flat surface. If it is installed vertically, ensure the bell is orientated as shown in the figure 1.

FIRE ALARM BELL INSTALLATION WIRING DIAGRAM

MASTER CONTROLS

INSTALLATION

- 1, Remove the M6 screw that fastens the gong to the bell base.
- 2, Remove the gong from the bell base.
- 3, Wire the leads of the bell base to cable from the fire alarm control panel, according to the wiring diagram in figure 3.
- 4, Install the bell base to the electric box, or any other mounting location with the striker on the bottom.
- 5, Install the gong to the bell base with the M6 screw. Fasten the M6 screw moderately.

TESTING

After initial installation, all bells shall be tested according to the local regulation.

MAINTENANCE

Periodic testing should be performed at least once a year. Always notify the control center of the system before repairing, maintaining, or testing the fire alarm bell.

Do not repair or replace any bell components in the field. If the bell does not perform properly, replace the entire unit.

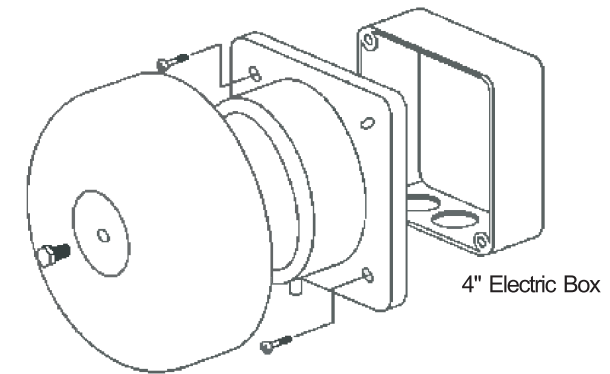


Figure 2. Installation of the bell

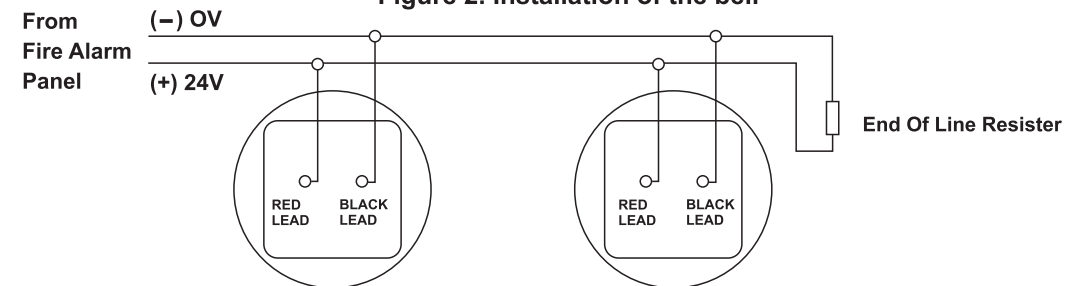


Figure 3. Wiring Diagram

Ningbo Ambest Electronics Co.,Ltd.



Add: Mogao Road, Dongqianhu Tourist Resort District,
Ningbo, China
Code: 315121
Tel: 86-574-8281 7218 Fax: 86-574-8300 1379
Web: <http://www.numens.net>